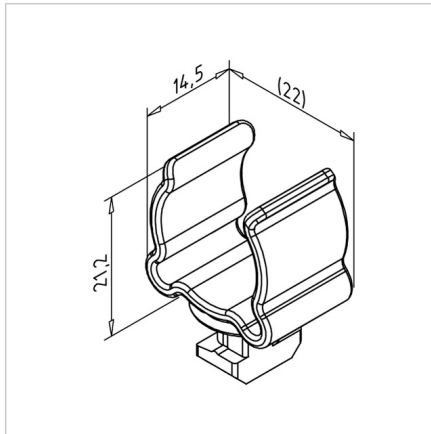


UNIVERSAL HOLDER

Code: 221175/0

Universal tool holder enables quick and secure attachment of tools with easy insertion and 90° rotation into the profile groove.

[Link to the product →](#)



Technical data/items supplied

- PA, grey
- Polyamide, grey
- Weight = 0.003 kg/piece

Applications

- Holding for all kinds of worktools
- Tools with a diameter of ca. 15 - 21 mm
- Max. weight 160 g

Assembly

- Insert in profile groove and turn 90°