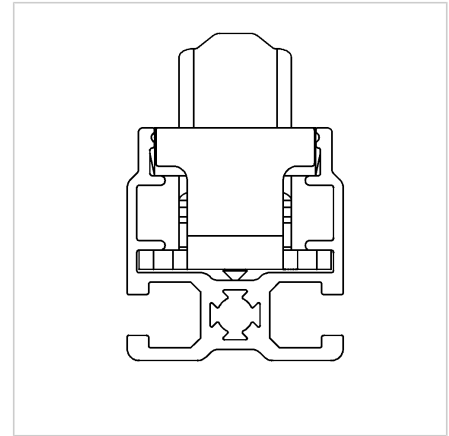
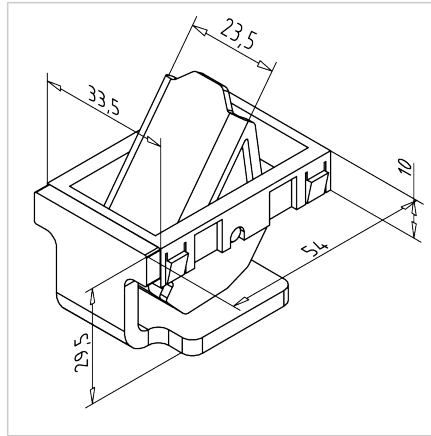


RETURN STOP 50-FRS

Code: 320690/0

[Link to the product →](#)



Technical data/items supplied

- PA, black
- Detent, galvanised steel
- ESD-compatible
- Weight = 0.104 kg/piece

Applications

- For installation in profile 45 FRS **article no. 201152/0**

Assembly

- Can be clipped into the profile in any position required
- Push the bracket supplied into the profile, position under the backstop and fix with setscrew.