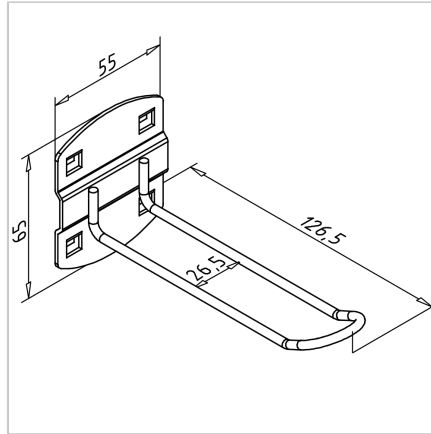
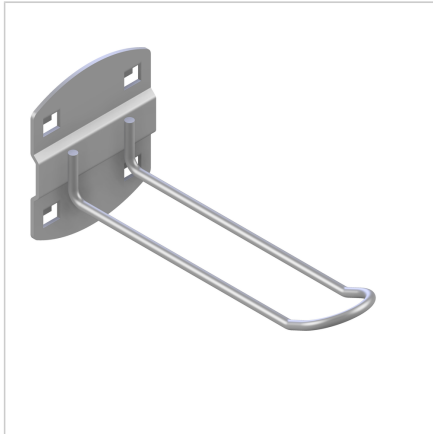


TOOL HOLDER FOR SB PACKAGING L=125mm

Code: 320658/0

Tool holder saves space, allows easy handling, quick box replacement, and clear organization of stored items.

[Link to the product →](#)



Technical data/items supplied

- Steel, Pressure die-casting, powder-coated, grey
- Aluminum colored
- Impact and scratch resistant plastic coating
- Individually packaged incl. screws
- Bracket \varnothing 3.7 mm
- Weight = 0.062 kg/piece

Applications

- Provision of tools at workplace

Assembly

- Hook in the carrier plate and secure with the enclosed screw