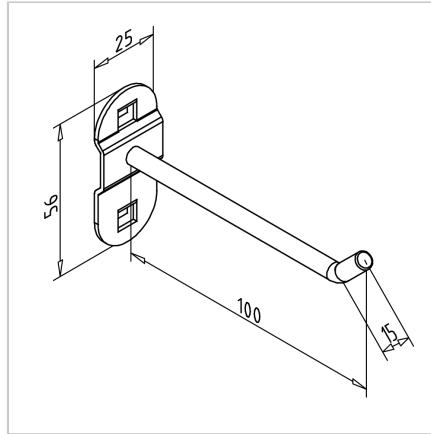


## WERKZEUGHALTER MIT SCHRÄGEM HAKENENDE L = 100 MM

Code: 320651/0

Tool holder with angled hook end 100 mm provides secure and organized storage for tools.

[Link to the product →](#)



### Technical data/items supplied

- Steel, Pressure die-casting, powder-coated, grey
- Aluminum colored
- Hook Ø 6.3mm
- Impact and scratch resistant plastic coating
- Individually packaged incl. screws
- Weight = 0.034 kg/piece

### Applications

- Provision of tools at workplace

### Assembly

- Hook in the carrier plate and secure with the enclosed screw