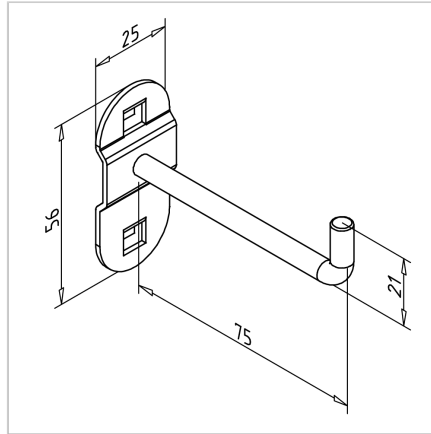
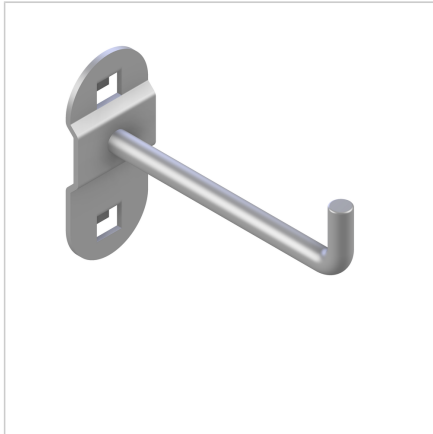


TOOL HOLDER WITH VERTICAL HOOK END L=75mm

Code: 320652/0

Double tool hook with angled hook end 75 mm ensures optimal space usage on the board.

[Link to the product →](#)



Technical data/items supplied

- Steel, Pressure die-casting, powder-coated, grey
- Aluminum colored
- Hook \varnothing 6.3mm
- Impact and scratch resistant plastic coating
- Individually packaged incl. screws
- Weight = 0.034 kg/piece

Applications

- Provision of tools at workplace

Assembly

- Hook in the carrier plate and secure with the enclosed screw