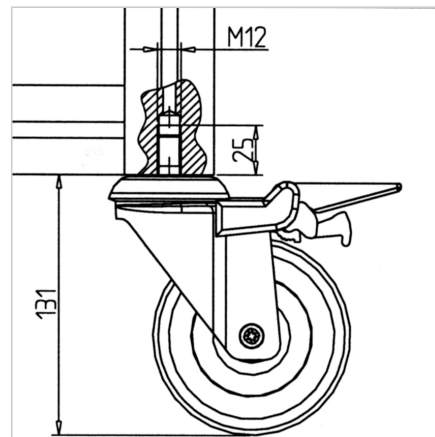
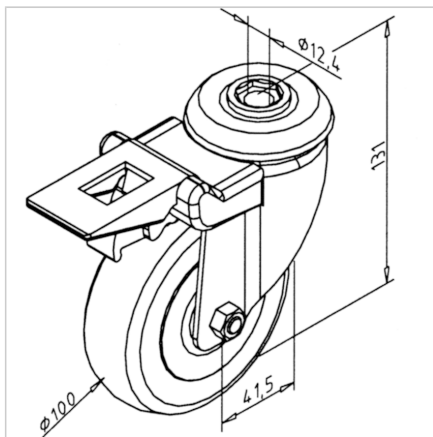


## WHEEL SWIVEL TYPE D100X131 WITH BRAKE

Code: 210031/0

Swivel castor with brake D 100 x 131 for secure, stable positioning and prevention of unwanted movement.

[Link to the product →](#)



### Technical data/items supplied

- Jeklo, galvanizirano
- Pnevmatika, guma, siva
- S priloženim pritrdilnim materialom iz jekla, pocinkanega
- Nosilnost 100 kg
- **Druge različice na zahtevo**
- Teža = 0,743 kg/kos

### Applications

- Movable tables
- Work stands
- Display windows, showcases

### Assembly

- Connect directly to the central bore of the vertical profile with supplied hardware, drill and introduce thread M12
- If the roller is to be centrally positioned for profile cross sections of 45 x 90 or 90 x 90, a connection plate is required