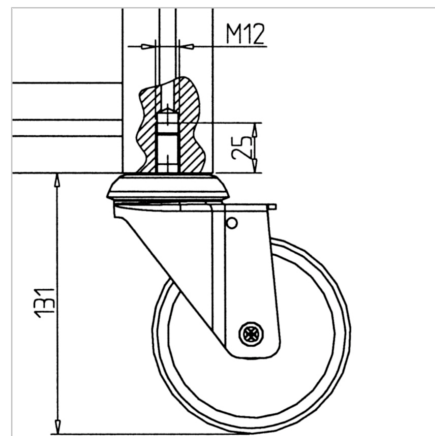
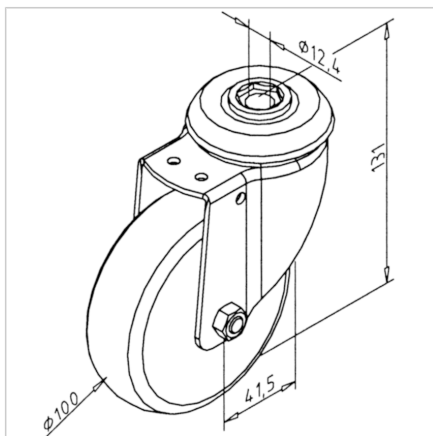


WHEEL SWIVEL TYPE D100X131 WITH OUT BRAKE

Code: 210030/0

Swivel castor D 100 x 131 for smooth and easy movement with flexible use. Ideal as a transport wheel for various constructions and furniture.

[Link to the product →](#)



Technical data/items supplied

- Steel, galvanized
- Tire, rubber, grey
- With fastening material steel, zinc plated
- Load capacity 100 kg
- **Other versions upon request**
- Weight = 0.660 kg/piece

Applications

- Movable tables
- Work stands
- Display windows, showcases

Assembly

- Connect directly to the central bore of the vertical profile with supplied hardware, drill and introduce thread M12
- A connection plate is required if the roller is to be positioned centrally with profile cross sections 45 x 90 or 90 x 90