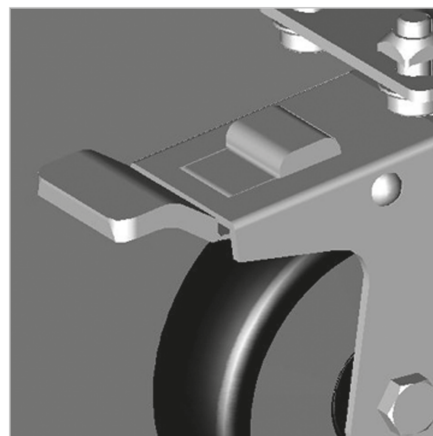
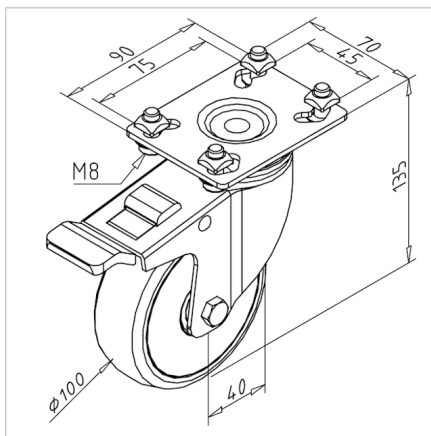


WHEEL SWIVEL TYPE D100X135 WITH BRAKE ESD AND SCREW-ON PLATE

Code: 321034/0

Swivel castor with brake D 100 x 131 with ESD protection for secure positioning and preventing unwanted movement in sensitive industrial environments.

[Link to the product →](#)



Technical data/items supplied

- With fastening material steel, zinc plated
- Housing steel, galvanized
- Conductive
- Load capacity 90 kg
- Weight = 0.881 kg/piece

Applications

- Movable tables
- Work stands
- Display windows, showcases

Assembly

- Fasten mounting plate in the profile groove with supplied hardware