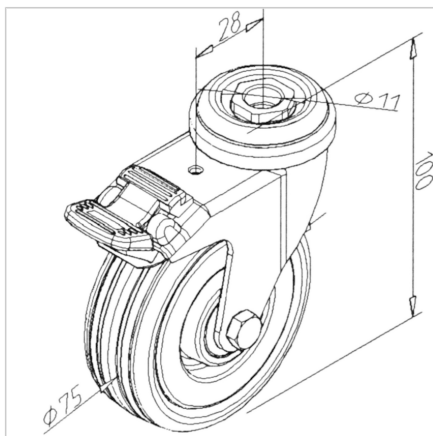


WHEEL SWIVEL TYPE D75X100 WITH BRAKE ESD

Code: 321030/0

Swivel castor with brake D 75 x 100 with ESD protection for secure positioning and preventing unwanted movement in sensitive industrial environments.

[Link to the product →](#)



Technical data/items supplied

- With fastening material steel, zinc plated
- Housing steel, galvanized
- Conductive
- Load capacity 50 kg
- **Other versions upon request**
- Weight = 0.322 kg/piece

Applications

- Movable tables
- Work stands
- Display windows, showcases

Assembly

- Attach directly to the central bore of the vertical profile with fastening material, then drill and introduce thread M10
- If the roller is to be centrally positioned for profile cross sections greater than 45 x 45, a connection plate is required