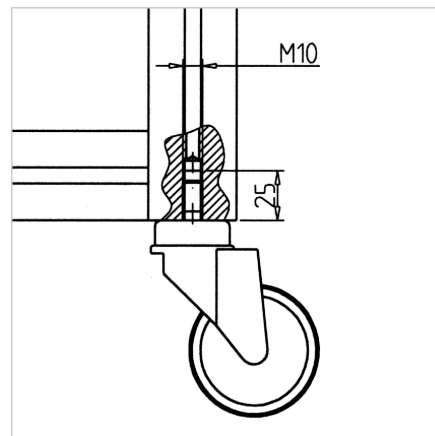
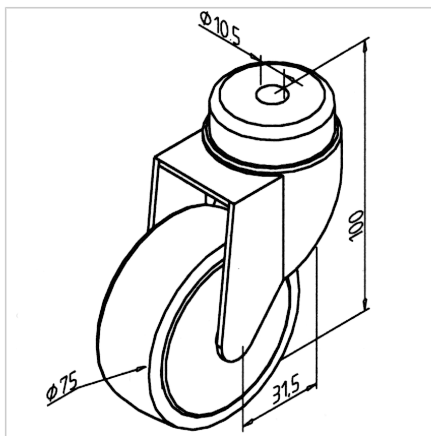
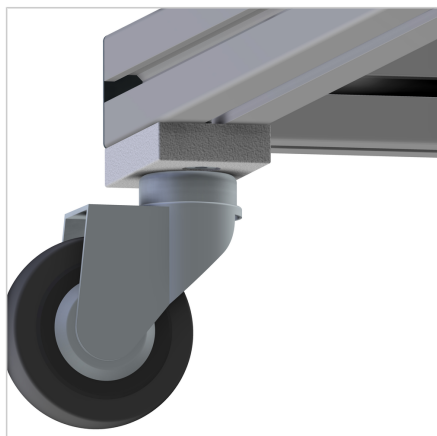


## WHEEL SWIVEL TYPE D75X100 WITHOUT BRAKE - ECO

Code: 1003627/0

Swivel castor D 75 x 100 for smooth and easy movement with flexible use. Ideal as a transport wheel for various constructions and furniture.

[Link to the product →](#)



### Technical data/items supplied

- Steel, galvanized
- Tire, rubber, grey
- Load capacity 50 kg
- **Other versions upon request**
- Weight = 0.24 kg/piece

### Applications

- Movable tables
- Work stands
- Display windows, showcases

### Assembly

- Attach directly to the central bore of the vertical profile with fastening material, then drill and introduce thread M10
- A connection plate is required if the roller is to be positioned centrally with profile cross sections 45 x 90 or 90 x 90